

24" RUGGED MULTIPURPOSE CONSOLE SYSTEMS

Command, Control, and Steering

The Hexagon multipurpose console system design allows the flexibility to provide sit down or stand up rugged consoles using a common building block approach for a wide variety of environmentally challenging deployments.

Based on previously tested MIL Standard designs, these systems employ a hard mounted, free standing design eliminating the need for external isolation thereby saving valuable space and weight.

The commonality of the baseline consoles' construction allows a rapid reconfiguration, providing a practical means to serve steering, machinery control, and monitoring applications while keeping basic logistical items the same for ease of spares management.

The consoles are configured for use of either local or remote computer connectivity and have the ability to accommodate a single or dual TD-R™ 4XXXB Series Small Form Factor (SFF) rugged computer system, providing seamless out-of-the-box configuration.



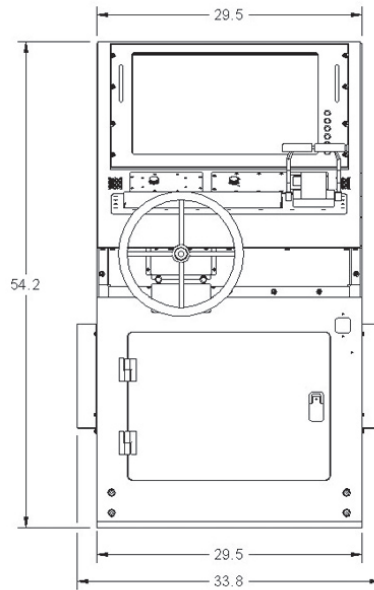
ENVIRONMENTAL

- Operating Temperature: -10° to $+60^{\circ}$ C (Standard).
- Storage Temperature: -20° to $+80^{\circ}$ C
- Relative Humidity: 0 to 95% non-condensing
- Designed to Meet:
 - Shock: MIL-S-901D Grade A, Class I
 - Vibration: MIL-STD-167-1
 - EMC: MIL-STD-461F
 - Airborne Noise: MIL-STD-740-1
 - Inclination: MIL-E-16400G
- Free standing-deck mounted—no isolation required, providing reduced mounting/excursion profile
- Bottom or rear cable entry using a variety of sealing gland options
- Lockable front door featuring secure, convenient access to internal I/O

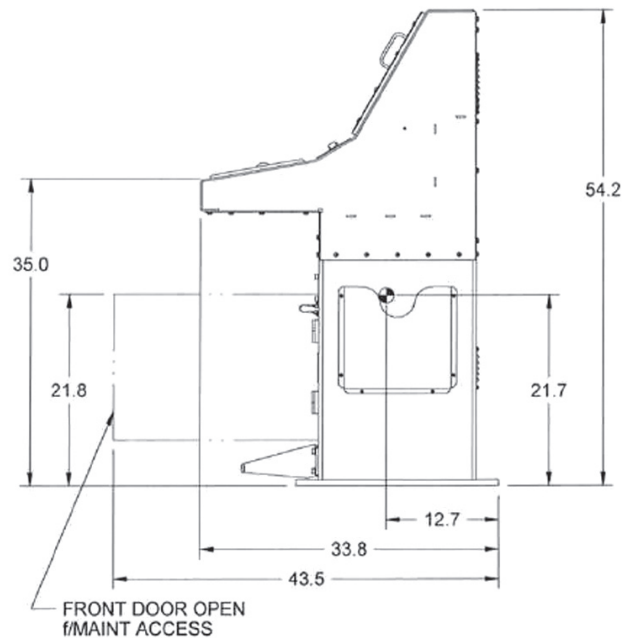
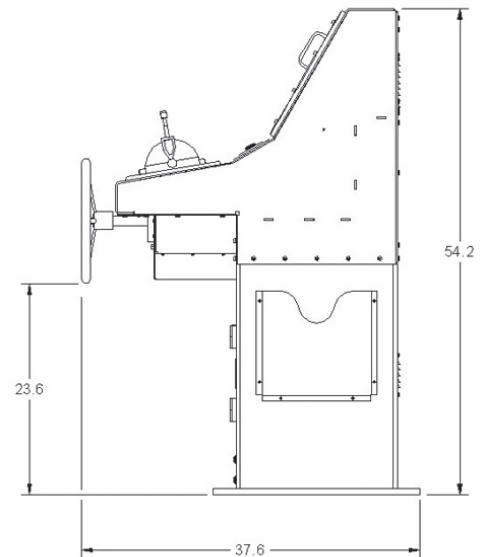
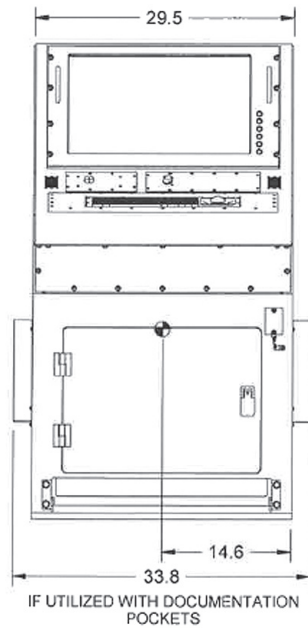
FEATURES

- Integrated dual speaker system with audio amplifier and volume adjustment control
- Full function rugged backlit keyboard with integrated trackball
- Options for remote or local computer systems including long distance bus extension
- Display
 - 24" WUXGA display
 - High bright levels with analog high to low brightness adjustments and OSD
 - Independent front menu buttons with selectable on/off lamp indicator for night operations
 - $\pm 85^{\circ}$ horizontal viewing angle
 - Brightness: 500 cd
 - 89% Luminosity
 - Contrast Ratio: 1000:1
 - Input: Analog and DVI

STEERING AND HELM CONTROL



COMMAND CONSOLE



PRE-CONFIGURED SYSTEMS

A number of standard and preconfigured systems are available for immediate procurement.

For preconfigured systems and customer solutions including I/O and computer interfaces and switch kit assemblies contact your sales representative for assistance.

Contact Us

Email: info@hexagonusfederal.com

Tel: +1 800 747 2232

hexagonusfederal.com

About Hexagon US Federal

Hexagon US Federal is an independent subsidiary for Hexagon's U.S. federal business. Hexagon US Federal provides mission-critical and business-critical solutions to governments and service providers. A global leader, proven innovator, and trusted partner, our software and industry expertise help improve the lives of millions of people through safer communities, better public services, and more reliable infrastructure. Visit hexagonusfederal.com.

Hexagon US Federal is part of **Hexagon** (Nasdaq Stockholm: HEXAB; hexagon.com), a leading global provider of information technologies that drive productivity and quality across geospatial and industrial enterprise applications.

©2017 Hexagon US Federal. Hexagon US Federal is part of Hexagon. All rights reserved.

Hexagon US Federal and the Hexagon US Federal logo are trademarks or registered trademarks of Hexagon or its subsidiaries in the United States and in other countries.