

UNIVERSAL CONTROL CONSOLE

Universal Control Console (UCC) with 24" Display System

The Hexagon multi-head 24" Universal Control Console (UCC) provides an extremely rugged solution for a free standing console based on proven field construction methods for control room centric monitoring applications.

This deck mounted design includes an integrated backlit keyboard and trackball assembly ergonomically patterned for sitting or standing. The console boasts three 24" LED backlit display systems and amplified integrated dual speaker system providing fully adjustable video and audio alert capabilities.

The hard mounted construction negates the need for an external isolation system and provides a lockable front door for internal physical security. The internal console chamber provides the ability for localized or remotely driven computer systems.



Console Construction

- Aluminum and stainless steel construction
- Bolted component support and restraint for increased structural reliability in rugged environments
- Powder coat paint finish

Environmental

- Operating Temperature: -10° to +60° C
- Storage Temperature: -20° to +80° C
- Relative Humidity: 0 to 95% non-condensing
- Designed to Meet:
 - Shock: MIL-S-901D Grade A
 - Vibration: MIL-STD-167-1
 - EMC: MIL-STD-461F
 - Airborne Noise: MIL-STD-740-1
 - Inclination: MIL-E-16400G

Console Features

- Free standing—deck mounted—no isolation required providing reduced mounting/excursion requirements
- Bottom or rear cable entry featuring Roxtec® sealing glands for increased strain relief and EMC risk mitigation.
- Lockable front door featuring secure, convenient access to internal I/O
- Display system:
 - Three (3) 24" WUXGA (24.1" Diagonal) displays
 - Display features surface treatment hard coating (3H) with anti-glare treatment of the front polarizer
 - High Bright—dim to black analog adjustment knob.
 - Independent front menu control buttons with selectable on/off indicator LED for night operations.
 - Viewing Angle (Free) R/L 178 (typ); Viewing Angle (CR>10) U/D 178 (typ)
 - Pixel Pitch: 0.270 mm × 0.270 mm
 - Luminance, White (High Adjust) ≤350 cd/m² (Center 1 point)
 - Input modes: DVI and Analog

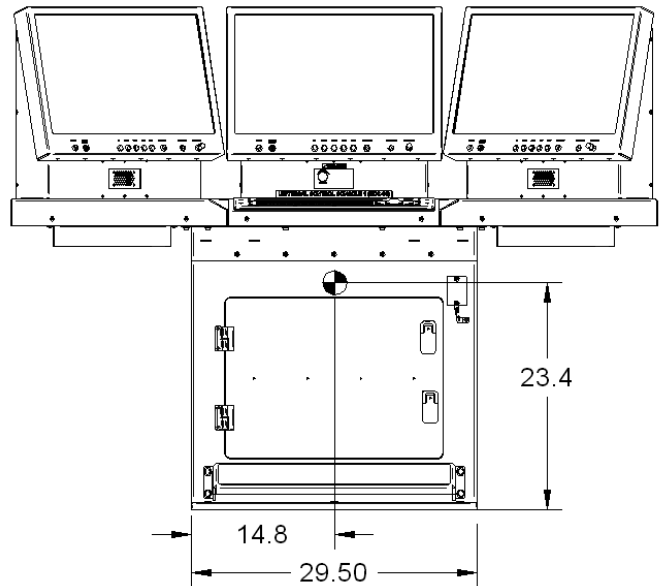
PRE-CONFIGURED SYSTEMS

Part Number: FFDSP0186

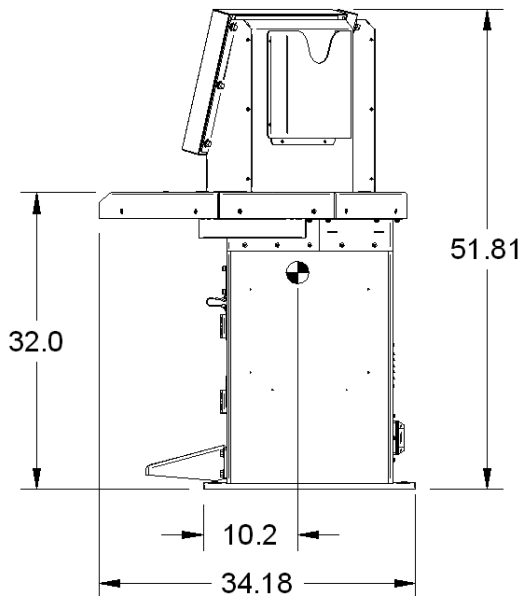
Description: CONSOLE, UNIVERSAL CONTROL, 3X24-INCH

Summary: Hexagon three head 24" Standalone Universal Control Console (UCC) with Matrox® Extio extension system. Remote Computer System and Fiber interface system not included.

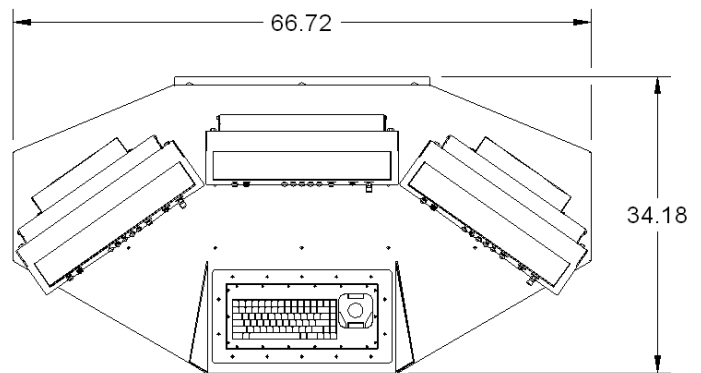
Additional configurations are available upon request, to include, but not limited to, cable interface kits, custom switch kit assemblies and internal and remote mounted computer systems. Contact your sales representative for configuration assistance.



STANDARD FRONT VIEW



STANDARD RIGHT SIDE VIEW



TOP VIEW

STANDARD TOP VIEW

Contact Us

Email: info@hexagonusfederal.com

Tel: +1 800 747 2232

hexagonusfederal.com

About Hexagon US Federal

Hexagon US Federal is an independent subsidiary for Hexagon's U.S. federal business. Hexagon US Federal provides mission-critical and business-critical solutions to governments and service providers. A global leader, proven innovator, and trusted partner, our software and industry expertise help improve the lives of millions of people through safer communities, better public services, and more reliable infrastructure. Visit hexagonusfederal.com.

Hexagon US Federal is part of **Hexagon** (Nasdaq Stockholm: HEXAB; hexagon.com), a leading global provider of information technologies that drive productivity and quality across geospatial and industrial enterprise applications.

©2016 Hexagon US Federal. Hexagon US Federal is part of Hexagon. All rights reserved.

Hexagon US Federal and the Hexagon US Federal logo are trademarks or registered trademarks of Hexagon or its subsidiaries in the United States and in other countries.