

## TD-R™ 3X7XR 17

### Rack Mount Computer System

Hexagon US Federal's TD-R™ 3X7XR-17 series rack-mountable computer systems integrate proven commercial off-the-shelf (COTS) technology, field proven construction, long life cycle component support, and the latest processing power necessary for today's complex applications.

The TD-R™ 3X7XR-17 series system provides trusted mission critical hardware and long life computer architecture. Implementing some of the latest industry architectures, the system is built with a reduced overall mounting depth. This provides the flexibility to support multiple internal I/O configurations for new installations or same form-fit-function technology refresh efforts.

Boasting proven durability to support your requirements in the harshest environments, the TD-R™ series workstations are ideal when conditions demand a truly rugged workstation for land or sea applications from a proven supplier of mission critical hardware.

### ENCLOSURE CONSTRUCTION

- Aluminum and stainless steel construction
- Rigid component support and restraint for structural reliability
- Durable field proven construction
- Choice of full-Lockable front door or half-door (shown) with quick release fasteners

### Environmental

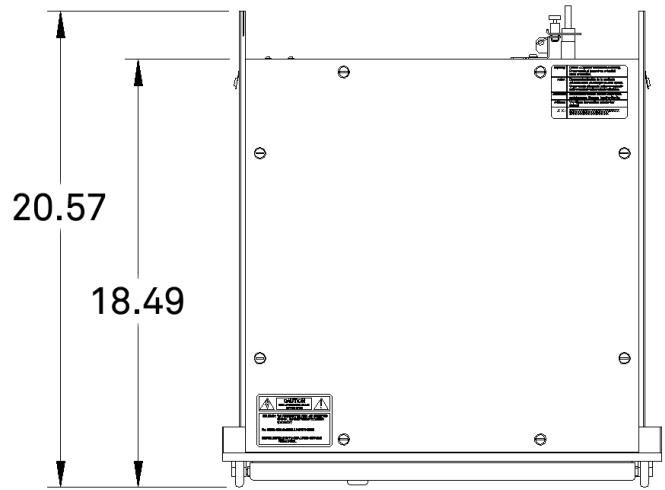
- Operating Temperature: -0° to +50° C
- Storage Temperature: -10° to +70° C
- Relative Humidity: 5 to 95% non-condensing
- Designed to Meet:
  - Shock: MIL-S-901D
  - Vibration: MIL-STD-167-1
  - EMC: MIL-STD-461
  - Airborne Noise: MIL-STD-740-1
  - Inclination: MIL-E-16400G



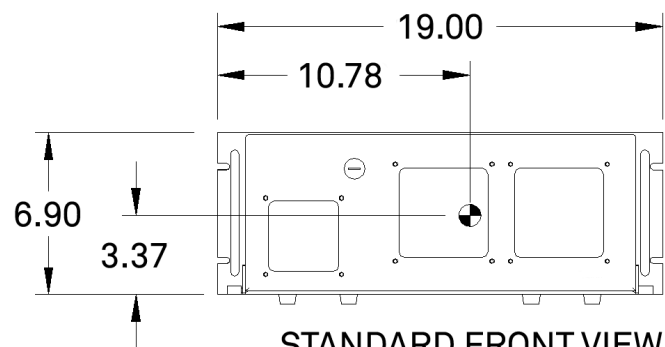
### FEATURES

- Long Life Cycle Component Support
- Power cord and critical I/O mechanical strain relief
- Reduced system depth for short enclosure mounting
- Processing: Single Intel® Core™ i5 or Intel® Core™ i7 processor options
- Chipset: Q67 Express
- Memory: DDR (1066/1333MHz) dual channel, unbuffered 240-pin memory supporting up to 32GB
- Expansion Slots (total):
  - One (1) PCI-E x16 graphics slot
  - One (1) PCI-E x4 slot
  - One (1) PCI-E x1 slot
  - Four (4) PCI 2.3 32bit/33MHz slot
- Graphics: Integrated (simultaneous) dual video output via (1) DVI, (1) VGA, and/or (1) HDMI rear panel ports; Maximum resolution 2048 x 1536; Additional Graphics card configurations and options available for high-end PCI-E graphics adapters
- Ethernet: Two (2) integrated RJ45 10/100/1000, Gigabit Ethernet ports; Additional Ethernet peripheral card options available for factory integration supporting fiber optic interfaces and high speed connections

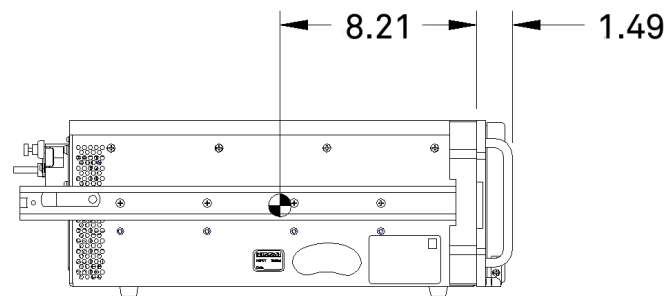
- Storage:
  - Hard Disk: Removable drive bay supporting four 2.5" SATA based hard disks; available disk drive options include solid state and standard rotational disks
  - Optical: One (1) slimline DVD-R/RW drive standard
  - Storage Drives: Optional factory installed drive options available upon request
- I/O Interfaces (standard): Two (2) GigE RJ-45 ports; Audio (Line-In, Line-Out, MIC); PS/2 Keyboard and Mouse Port; Two (2) RS-232 Serial
- Power: 500W, 100-240VAC, 50/60Hz; Dual (redundant) power supply options available
- Operating systems: Microsoft® Windows® Family; Linux



STANDARD TOP VIEW



STANDARD FRONT VIEW



STANDARD LEFT SIDE VIEW

## PRE-CONFIGURED SYSTEMS

### Part Number: FFBAS0426

**Description:** TD-R3175R-17, 4GB, 120GB, D-SC

**Summary:** TD-R™ 3175R Computer System (as defined above) including: One (1) Factory integrated Matrox P690 Graphics Adapter with 128MB of video memory (or greater); Two (2) 120GB SSDs; Two (2) 100Mbps Fiber NICs with SC connections; Rear (Standard) I/O cable restraints; Windows 7 Professional\*

### Part Number: FFBAS0460

**Description:** TD-R3175R-17, 4GB, 120GB, D-ST, COM

**Summary:** TD-R™ 3175R Computer System (as defined above) including: One (1) i5 3.1GHz; 4GB Memory; One (1) Factory integrated (PCI-E) dual head graphics; One (1) 300GB SSD; Two (2) 100Mbps Fiber NICs with ST connections; Two (2) Control® RocketPort® interface boards with quad output cable; Rear (Standard) I/O cable restraints; Windows 7 Professional\*

Additional configurations are available upon request, to include, but not limited to, drive types and quantities, processor type and speed, memory configurations, and operating system support. Contact your sales representative for assistance in configuring your specific configuration.

\* License type and specific version verified at time of order

### Contact Us

Email: [info@hexagonusfederal.com](mailto:info@hexagonusfederal.com)

Tel: +1 800 747 2232

[hexagonusfederal.com](http://hexagonusfederal.com)

## About Hexagon US Federal

Hexagon US Federal is an independent subsidiary for Hexagon's U.S. federal business. Hexagon US Federal provides mission-critical and business-critical solutions to governments and service providers. A global leader, proven innovator, and trusted partner, our software and industry expertise help improve the lives of millions of people through safer communities, better public services, and more reliable infrastructure. Visit [hexagonusfederal.com](http://hexagonusfederal.com).

Hexagon US Federal is part of **Hexagon** (Nasdaq Stockholm: HEXAB; [hexagon.com](http://hexagon.com)), a leading global provider of information technologies that drive productivity and quality across geospatial and industrial enterprise applications.

©2016 Hexagon US Federal. Hexagon US Federal is part of Hexagon. All rights reserved.

Hexagon US Federal and the Hexagon US Federal logo are trademarks or registered trademarks of Hexagon or its subsidiaries in the United States and in other countries.