



TD-R™ 3X64R-17 Rack Mount Computer System

Hexagon US Federal's TD-R™ 3X64R-17 series rack-mountable computer systems integrate proven commercial off-the-shelf (COTS) technology; field proven construction, long life cycle component support, and processing power necessary for today's complex applications.

The TD-R™ 3X64R-17 Series system provides trusted mission critical hardware and long life computer architecture for a same "form-fit-function" replacement for previous generations of TD-R™ rack mount or equivalent computer systems with the simplicity of a one-to-one replacement methodology in a reduced overall mounting depth.

Boasting proven durability to support your requirements in the harshest environments, the TD-R™ series workstations are ideal when conditions demand a truly rugged workstation for land or sea applications from a proven supplier of mission critical hardware.



FEATURES

- Long Life Cycle Component Support
- Processing: Intel® Core™2 Quad at 2.66GHz or greater
- Front Side Bus: 1333/1066/800MHz
- Memory: DDR2 (667/800MHz) dual channel supporting up to GB
- Expansion Slots (total):
 - One (1) PCI Express x16
 - One (1) PCI Express x4 interface (in x16 slot)
 - Four (4) PCI Rev 2.3 Bus Master interface slots
 - One (1) PCI Rev 2.3 Non-Bus Master slot
- Graphics: Integrated Intel® Graphics Accelerator (GMA3100);
- Optional factory installed PCI-e Matrox® Based graphics accelerator with Dual DVI/Analog interfaces providing long life and proven extreme graphics support by Matrox
- Ethernet: Two integrated ports: One (1) Intel 82573L PCI-E Gigabit Ethernet Controller and One (1) Intel 82566 GigE PHY with RJ-45 connector interface
- Audio: Realtek® ALC888 HD Audio CODEC or equivalent with Line-In, Line-Out, and MIC.
- Ports; Six (6) USB ports (four-rear, two front)
- Storage:
 - Hard Disk: Removable drive bay supporting four 2.5" SATA based hard disks; Available disk drive options include solid state and standard rotational disks; Additional removable disk options available

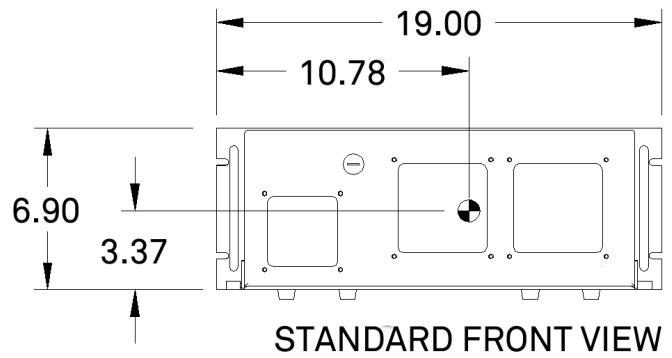
ENCLOSURE CONSTRUCTION

- Aluminum and stainless steel construction
- Rigid component support and restraint for structural reliability
- Durable field proven construction

ENVIRONMENTAL

- Operating Temperature: -5° to +50° C
- Storage Temperature: -10° to +70° C
- Relative Humidity: 5 to 95% non-condensing
- Designed to Meet:
 - Shock: MIL-S-901D
 - Vibration: MIL-STD-167-1
 - MC: MIL-STD-461
 - Airborne Noise: MIL-STD-740-1
 - Inclination: MIL-E-16400G

- Optical: One (1) slimline DVD-R/RW drive standard
- Storage Drives: Optional factory installed drive options available upon request
- I/O Interfaces (standard): Two (2) GigE RJ-45 ports; Audio (Line-In, Line-Out, MIC); PS/2 Keyboard and Mouse Port; Two (2) RS-232 Serial
- Power: 500W, 100-240VAC, 50/60Hz; Dual (redundant) power supply options available
- Operating systems: Microsoft® Windows® Family; Linux



PRE-CONFIGURED SYSTEMS

Part Number: FFBAS0420

Description: TDR3664-17R 2.66+ C2-QUAD 2GB 250G, XP

Summary: TD-R™ 3664R Computer System win an Intel® 2.66GHz (or higher) Core2™ Quad; 2GB total memory (2x1GB); Factory installed (removable) 2.5" removable 250GB SATA Solid State Drive; DVD-R/RW Drive; Matrox P690 Graphics; Windows XP Professional*

Part Number: FFBAS0429

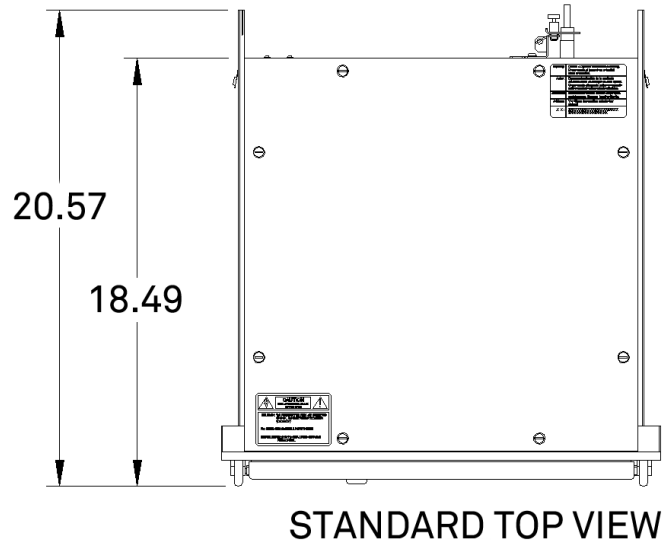
Description: TDR3664R-17, 2.66+,6GB,250G,D-ST,4HD

Summary: TD-R™ 3664R-17 Computer System win an Intel® 2.66GHz (or higher) Core2™ Quad; 6GB total memory; Factory installed (removable) 2.5" removable 250GB SATA Solid State Drive; DVD-R/RW Drive; Extio Fiber graphics extension board; Dual 100Mbps Fiber NICs; Windows XP Professional (Windows 7 Pro Downgrade)*

Part Number: FFBAS0430

Description: TDR3664R-17,2.66+,2GB,250G D-ST

Summary: TD-R™ 3664R-17 Computer System win an Intel® 2.66GHz (or higher) Core2™ Quad; 2GB total memory (2x1GB); Factory installed (removable) 2.5" removable 250GB SATA Solid State Disk Drive; DVD-R/RW Drive; Matrox P690 Graphics; Dual 100Mbps Fiber NICs; Windows XP Professional (Windows 7 Pro Downgrade)*



Additional configurations are available upon request, to include, but not limited to, drive types and quantities, processor type and speed, memory configurations, and operating system support. Contact your sales representative for assistance in configuring your specific configuration.

* Specific sub-sets of testing may have been performed under various conditions

Contact Us

Email: info@hexagonusfederal.com

Tel: +1 800 747 2232

hexagonusfederal.com

About Hexagon US Federal

Hexagon US Federal is an independent subsidiary for Hexagon's U.S. federal business. Hexagon US Federal provides mission-critical and business-critical solutions to governments and service providers. A global leader, proven innovator, and trusted partner, our software and industry expertise help improve the lives of millions of people through safer communities, better public services, and more reliable infrastructure. Visit hexagonusfederal.com.

Hexagon US Federal is part of **Hexagon** (Nasdaq Stockholm: HEXAB; hexagon.com), a leading global provider of information technologies that drive productivity and quality across geospatial and industrial enterprise applications.

©2016 Hexagon US Federal. Hexagon US Federal is part of Hexagon. All rights reserved.

Hexagon US Federal and the Hexagon US Federal logo are trademarks or registered trademarks of Hexagon or its subsidiaries in the United States and in other countries.