

PRODUCT SHEET

Universal Control Console (UCC) with 24" Display System

The Intergraph three head 24" Universal Control Console (UCC) provides an extremely rugged solution for a free standing multi-display console based on proven field construction technologies for control centric monitoring applications.

This deck mounted design includes an integrated rugged (backlit) NEMA keyboard and trackball assembly ergonomically patterned for sitting or standing. The console boasts three 24" LED backlit display system and amplified integrated dual speaker system to provide system alerts for critical alarm systems.

The hard mounted, free standing, design negates the need for an external isolation system and provides a lockable front door for internal I/O from remote computer systems or provides a mounting mechanism for the TD-R™ 4000B series computer systems.



CONSOLE CONSTRUCTION:

- Aluminum and stainless steel construction
- Bolted component support and restraint for increased structural reliability for truly rugged environments
- Power Coat Paint finish
- Hard mounted – No Isolation System providing reduced maintenance and mounting envelopes

CONSOLE FEATURES:

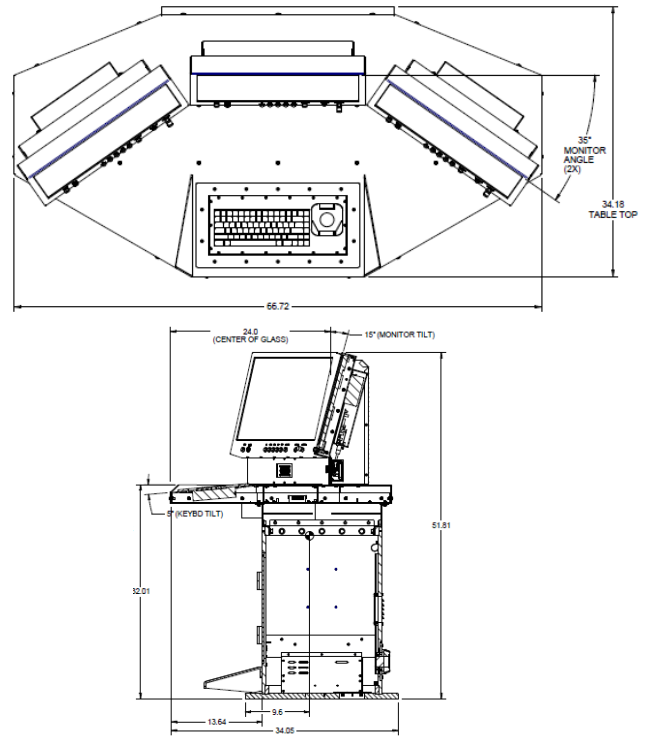
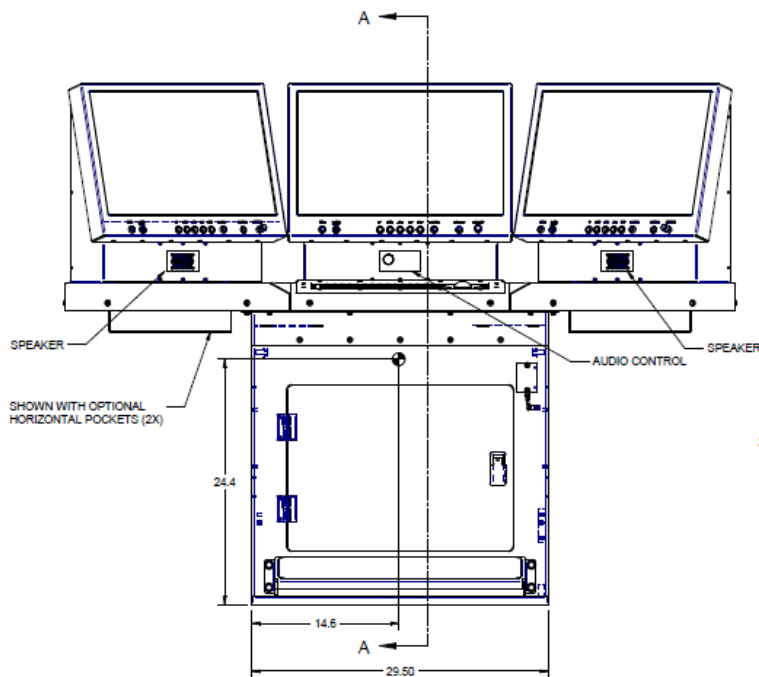
- Free standing, deck mounted
- Deck or rear cable entry featuring Roxtec® sealing glands
- Lockable front door featuring secure, convenient access to internal I/O
- Display System:
 - Three (3) 24" WUXGA (24.1" Diagonal)
 - Color Active Matrix LCD CCFL backlit system
 - Display features surface treatment hard coating (3H) with Anti-glare treatment of the front polarizer
 - High Bright – Dim to Black analog adjustment knob.
 - Independent Front menu control buttons with selectable on/off indicator LED for night operations.
 - Viewing Angle (Free) R/L 178 (typ); Viewing Angle (CR>10) U/D 178 (typ)
 - Pixel Pitch: 0.270 mm x 0.270 mm
 - Luminance, White (High Adjust) ≤400 cd/m2 (Center 1 point)
 - Input modes: DVI and Analog

- Audio – Integrated dual speaker system with audio amplifier with analog volume adjustment knob.
- Keyboard
 - Spill proof design
 - Red Backlit Keys -Dim to Black
 - Rugged, Durable design
- Trackball
 - Large 3 – 4 button trackball
 - High tracking under harsh (dirt debris) conditions
 - Red Backlit – Dim to Black
- I/O (Internal) Interfaces for Analog, Digital and PS/2 signal inputs (standard). Optional Factory or Field installed TD-R™ 4000B series shelf/computer system internal mounting kit or remote Fiber DVI Extension System.
- Switch Kits – Optional keyboard mounted custom analog switch kits.

ENVIRONMENTAL:

- Operating Temperature: -10° to +60° C
- Storage Temperature: -40° to +80° C
- Relative Humidity: 0 to 95% non-condensing
- DESIGNED TO MEET
 - Shock: MIL-S-901D Grade A
 - Vibration: MIL-STD-167-1
 - EMC: MIL-STD-461F
 - Airborne Noise: MIL-STD-740-1
 - Inclination: MIL-E-16400G

PRODUCT SHEET



PRECONFIGURED SYSTEMS:

Part Number: FFDSP0186

Description: CONSOLE, UNIVERSAL CONTROL, 3X24-INCH

Summary: Intergraph three head 24" Standalone Universal Control Console (UCC) with Matrox® Extio extension system. Remote Computer System and Fiber interface system not included.

** Additional configurations are available upon request, to include, but not limited to, cable interface kits, custom switch kit assemblies and internal and remote mounted computer systems. Contact your sales representative for configuration assistance.

www.intergraphgovsolutions.com

Phone: 1-800-747-2232

ABOUT INTERGRAPH GOVERNMENT SOLUTIONS

Intergraph Government Solutions (IGS) is an independent subsidiary of Intergraph Corporation that was created to serve the U.S. Federal and classified business.

Intergraph is the leading global provider of engineering and geospatial software that enables customers to visualize complex data. Businesses and governments in more than 60 countries rely on Intergraph's industry-specific software to organize vast amounts of data to make processes and infrastructure better, safer and smarter. The company's software and services empower customers to build and operate more efficient plants and ships, create intelligent maps, and protect critical infrastructure and millions of people around the world.

Intergraph, the Intergraph logo, and TD-R are registered trademarks of Intergraph Corporation. Microsoft and Windows are registered trademarks of Microsoft Corporation. Other brands and product names are trademarks of their respective owners. ©2012 Intergraph Government Solutions, Huntsville, AL 35758