

## PRODUCT SHEET

### TD-R™ 7X11B-S RSCU Series Ultra-Rugged Computing System

Military and industrial organizations must deploy the latest highly efficient computing technology in extreme environmental conditions in order to complete mission-critical tasks. Boasting power efficiency this system uses approximately 80% less power than many traditional air breathing computer systems.



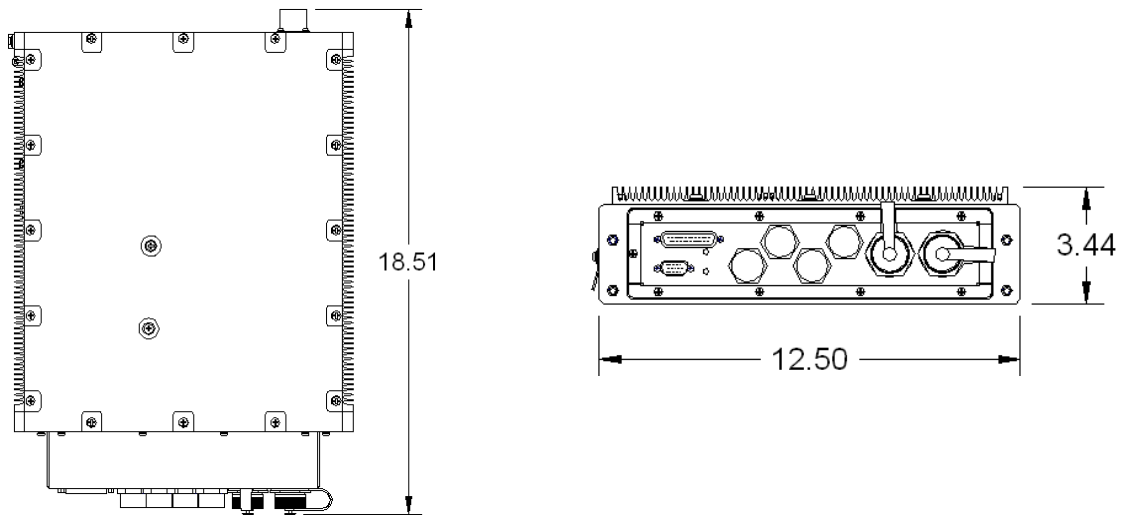
Whether on a naval ship, ground control station, aircraft, or oil rigs – reliable, efficient computing is essential to mission success.

To meet the most stringent demands, Intergraph offers the TD-R™ 7X11B-S Series computing system. This *ultra-rugged* computer system can be completely sealed and has no traditional moving parts. Designed to prevent the general induction of outside air, water, dust, or other contaminants, the computing system can operate in temperatures up to 70 degrees C for the most punishing conditions *from a proven supplier* of mission critical computing systems.

#### FEATURES AND SPECIFICATIONS

- Uses field-proven, heavy-duty aluminum and steel construction methodologies that offers high strength and extreme durability – *ULTRA Rugged*
- Eliminates the induction of dirt, debris, water, or any other contaminant that could cause or be associated with a system failure
- Uses commercial off-the-shelf (COTS) components to reduce costs and provide easily available spare-parts management
- Runs the Microsoft® Windows® family of operating systems, as well as Linux and UNIX operating systems.
- Supports x86 and x64 Architectures
- Processor: Supports the socket 478MN(MEROM) processor socket for Intel Core 2 Duo - 2.2GHz or greater Intel Core 2 Duo in base configuration Memory: Supports two (2) DDR2 memory modules for a maximum total memory of 4GB - 2GB memory standard in base configuration; upgrade options available
- Graphics: Supports dynamic video memory technology (DVMT), which provides 384MB of system memory for general computer usage, plus graphics memory when a 3D-intensive application requests it; Intel GMAX3100 graphics architecture leverages high-performance Intel processor and supports dual independent display technology.
- Integrated networking: Dual 10/100/1000Mbps LAN controller with two RJ-45 connections. Optional network interface cards, including 10BaseFL, 100BaseFX, and 1000Base fiber options (Factory Integrated)
- Integrated audio: ICH8M built-in audio controller + AC97 Codec ALC885 with 7.1 channels, SPDIF-OUT
- USB ports: Four rear USB 2.0 ports with custom configurations available
- I/O: Standard rear I/O connection points. Standard rear connections include: DB25 (PS/2, Audio); HD15 Video; RJ45 (x2); USB (x4). Custom configurations available for factory integration upon customer request.
- Storage: One removable disk carrier system supporting two (2) SATA (2.5") disk drives. 120GB SSD standard. Upgrade options available.
- Power: (Input) DC operation: 12 V @ 5 Amps, includes 120-watt A/C power input with mounting bracket.
- Operating Temperature: -20 to +70° C
- Environmental: (Designed to meet) various MIL Standards, including but not limited to: Shock – MIL-S-901D Grade-A; EMI – MIL-STD-461F; Vibration – MIL-STD-167; Inclination – MIL-E-16400G; Airborne noise – MIL-STD-740-1

## PRODUCT SHEET



### PRECONFIGURED SYSTEMS:

Part Number: FFBA57000-4

Description: TDR7611B-S, 2.2G, DUO, 2G, 120G FLSH

Summary: TD-R™ 7611B-S Computer System with an Intel® 2.2GHz (or higher) Core 2 Duo Processor; 2GB total memory; Factory installed (removable) 120GB Intel® 310 Series Solid State Disk Drive; Dual 100Mbps Fiber NICs; Mil style DC input power connection; External AC Power Supply with mounting bracket; Windows XP Professional.

\*\* Additional configurations are available upon request, to include, but not limited to, drive types and quantities, processor type and speed, memory configurations, and operating system support. Contact your sales representative for assistance in configuring your specific configuration.

[www.intergraphgovsolutions.com](http://www.intergraphgovsolutions.com)

Phone: 1-800-747-2232

### ABOUT INTERGRAPH GOVERNMENT SOLUTIONS

Intergraph Government Solutions (IGS) is an independent subsidiary of Intergraph Corporation that was created to serve the U.S. Federal and classified business.

Intergraph is the leading global provider of engineering and geospatial software that enables customers to visualize complex data. Businesses and governments in more than 60 countries rely on Intergraph's industry-specific software to organize vast amounts of data to make processes and infrastructure better, safer and smarter. The company's software and services empower customers to build and operate more efficient plants and ships, create intelligent maps, and protect critical infrastructure and millions of people around the world.

Intergraph, the Intergraph logo, and TD-R are registered trademarks of Intergraph Corporation. Microsoft and Windows are registered trademarks of Microsoft Corporation. Other brands and product names are trademarks of their respective owners. ©2012 Intergraph Government Solutions, Huntsville, AL 35758