

PRODUCT SHEET

TD-R™ 3X75R-17 Series Computer System

The Intergraph TD-R™ 3X75R-17 series computer system is the latest reduced depth 4U rack mount system built to withstand harsh environments – such as those experienced aboard naval vessels – with the computing power driven by the Intel® Core™ i5 and i7 processors. Engineered for durability and based on the previous generations of Intergraph reduced depth computers systems for seamless integration, the TD-R™ 3X75R-17 performs at its peak on land and sea for mission critical applications.



Built using commercial off-the-shelf (COTS) technology, this cost-effective system offers superior performance utilizing the same mounting patterns and equivalent weight structures as previous generations of 4U systems at a reduced depth. The TD-R™ 3X75R-17 combines state-of-the-art graphics power with the flexibility of numerous peripheral card slots to support a wide variety of applications and long term supportability of its discrete computing components *from a proven supplier* of mission critical hardware and services.

ENCLOSURE CONSTRUCTION:

- Aluminum and stainless steel construction
- Component support and restraint for increased structural reliability
- Field proven durability in construction design
- Front to Rear Cooling
- Audio: 6 channel audio via (3) jacks on rear I/O panel
- Storage
 - Hard Disk – 4 Bay Hot Swap Capable drive bay supporting 2.5" SATA based disk drives. Multiple disk options including standard spindle drive and Solid State Drives. One, 120GB SSD standard
 - DVD-R/RW Drive (SATA)
 - Optional Floppy Disk Drive or equivalent internal storage media available for factory installation.

SYSTEM FEATURES:

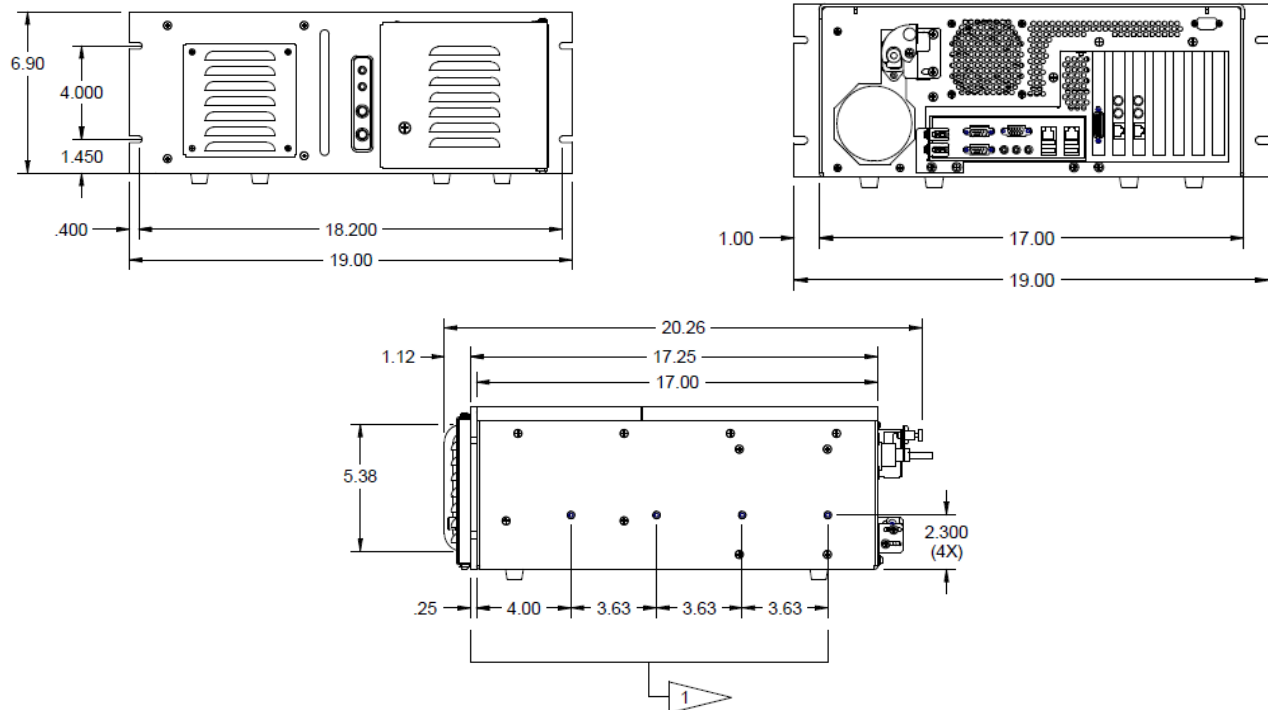
- Long Life Cycle Component Support
- Power cord and critical I/O mechanical strain relief
- Reduced system depth for short enclosure mounting
- Processing: Single Intel® Core™ i5 at 3.1GHz or greater. Additional support for Core™ i7 processors upon request.
- Chipset: Q67 Express
- Memory: DDR (1066/1333MHz) dual channel, unbuffered 240-pin memory supporting up to 32GB. 4GB standard in base model.
- Expansion Slots (total):
 - One (1) PCI-E x16 graphics slot
 - One (1) PCI-E x4 slot
 - One (1) PCI-E x1 slot
 - Four (4) PCI 2.3 32bit/33MHz slot
- Graphics: Integrated (simultaneous) dual video output via (1) DVI, (1) VGA, and/or (1) HDMI rear panel ports. Maximum resolution 2048 x 1536. Additional graphic card configurations and options available for high-end PCI-E graphics adapters.
- Ethernet: Two (2) integrated RJ45 10/100/1000, Gigabit Ethernet ports. Additional Ethernet peripheral card options available for factory integration supporting fiber optic interfaces and high speed connections.

- Operating System Support: Windows 7 Professional; Windows 2008 R2; Linux
- Input Power: 100-240 VAC, 50/60Hz

ENVIRONMENTAL:

- Operating Temperature: -5° to +55° C
- Storage Temperature: -20° to +75° C
- Relative Humidity: 5 to 95% non-condensing
- DESIGNED TO MEET
 - Shock: MIL-S-901D Grade A (in an isolated enclosure)
 - Vibration: MIL-STD-167-1
 - EMC: MIL-STD-461, FCC Class B
 - Airborne Noise: MIL-STD-740-1
 - Inclination: MIL-E-16400G
 - MIL-STD-810 (Method 509.3, 508.4)
 - MIL-STD-740/1

PRODUCT SHEET



PRECONFIGURED SYSTEMS:

Part Number: FFBAS0426

Description: TD-R3175R-17, 4GB, 120GB, D-SC

System Summary: TD-R™ 3175R Computer System (as defined above) including: One (1) Factory integrated Matrox® P690 Graphics Adapter with 128MB of video memory (or greater); Two (2) 120GB SSDs (Intel SSDSC2MH120A2K5 or equivalent); Two (2) 100Mbps Fiber NICs with SC connections (Allied Telesis AT-2711 or equivalent); Rear (Standard) I/O cable restraints; Windows 7 Professional

** Additional configurations are available upon request to include internally installed drives, I/O devices, operating system support, and program specific part number assignment.

www.intergraphgovsolutions.com

Phone: 1-800-747-2232

ABOUT INTERGRAPH GOVERNMENT SOLUTIONS

Intergraph Government Solutions (IGS) is an independent subsidiary of Intergraph Corporation that was created to serve the U.S. Federal and classified business.

Intergraph is the leading global provider of engineering and geospatial software that enables customers to visualize complex data. Businesses and governments in more than 60 countries rely on Intergraph’s industry-specific software to organize vast amounts of data to make processes and infrastructure better, safer and smarter. The company’s software and services empower customers to build and operate more efficient plants and ships, create intelligent maps, and protect critical infrastructure and millions of people around the world.

For more information, visit www.intergraphgovsolutions.com

Intergraph, the Intergraph logo, and TD-R are registered trademarks of Intergraph Corporation. Microsoft and Windows are registered trademarks of Microsoft Corporation. Other brands and product names are trademarks of their respective owners. ©2012 Intergraph Government Solutions Corporation, Huntsville, AL 35758