

PRODUCT SHEET

TD-R™ 3X64R Series Rack Mount Computer System

Intergraph's TD-R™ 3X64R series rack-mountable computer systems integrate proven commercial off-the-shelf (COTS) technology; field proven construction, long life cycle component support, and processing power necessary for today's complex applications.

The TD-R™ 3X64R Series system is the latest fielded technology to provide the next generation of trusted mission critical hardware in Intergraph computing systems and long life computer architecture for a same form-fit-function replacement for previous generations of TD-R™ workstations with the simplicity of a one-to-one replacement.

Boasting durability to support your requirements in the harshest environments, the TD-R™ series workstations are ideal when conditions demand a truly rugged workstation for land or sea applications *from a proven supplier* of mission critical hardware.



ENCLOSURE CONSTRUCTION:

- Aluminum and stainless steel construction
- Component support and restraint for increased structural reliability
- Field proven durability design

SYSTEM FEATURES:

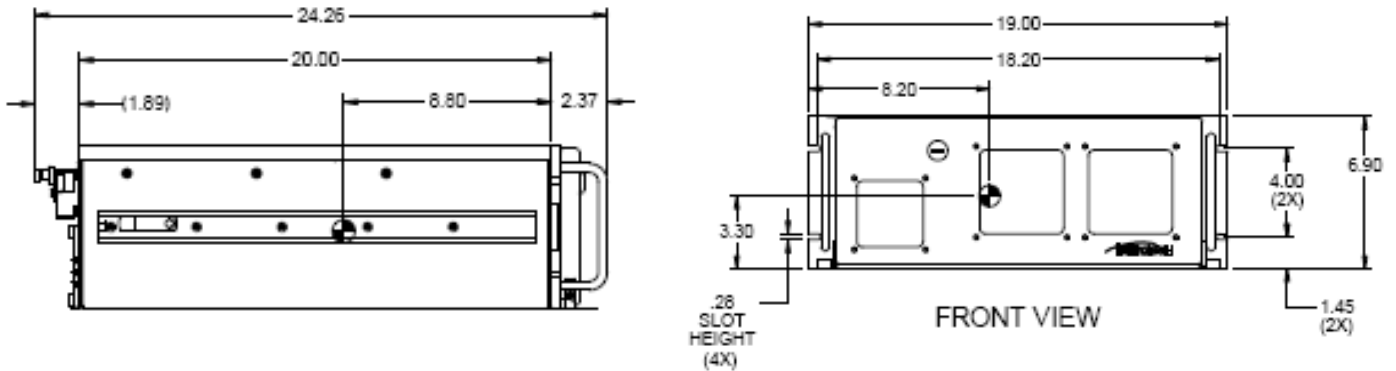
- Long Life Cycle Component Support
- Processing: Intel® Core™2 Quad at 2.66GHz or greater
- Front Side Bus: 1333/1066/800MHz
- Memory: DDR2 (667/800MHz) dual channel supporting up to 8GB.
- Expansion Slots (total):
 - One (1) PCI Express x16
 - One (1) PCI Express x4 interface (in x16 slot)
 - Four (4) PCI Rev 2.3 Bus Master interface slots
 - One (1) PCI Rev 2.3 Non-Bus Master slot
- Graphics: Integrated Intel Graphics Accelerator (GMA3100); Optional factory installed PCI-e Matrox Based graphics accelerator with Dual DVI/Analog interfaces providing long life and proven extreme graphics support by Matrox.
- Ethernet: Two integrated ports: One (1) Intel 82573L PCI-E Gigabit Ethernet Controller and One (1) Intel 82566 GigE PHY with RJ-45 connector interface
- Audio: Realtek ALC888 HD Audio CODEC or equivalent with Line-In, Line-Out, and MIC.
- Ports; Six (6) USB ports (four-rear, two front)

- Storage:
 - Hard Disk: Four (4) Removable drive bays supporting four 2.5" SATA based hard disks; Available disk drive options include solid state and standard rotational disks. Additional Removable disk options available.
 - Optical: One (1) slimline DVD-R/RW drive standard
- I/O Interfaces (standard): Two (2) GigE RJ-45 ports; Audio (Line-In, Line-Out, MIC); PS/2 Keyboard and Mouse Port; Two (2) RS-232 Serial
- Power: 460W, 100-240VAC, 50/60Hz; Dual (redundant) power supply options available
- Operating systems: Microsoft® Windows® Family; Linux

ENVIRONMENTAL:

- Operating Temperature: -5° to +50° C
- Storage Temperature: -10° to +70° C
- Relative Humidity: 5 to 95% non-condensing
- DESIGNED TO MEET
 - Shock: MIL-S-901D Grade A
 - Vibration: MIL-STD-167-1
 - EMC: MIL-STD-461
 - Airborne Noise: MIL-STD-740-1
 - Inclination: MIL-E-16400G

PRODUCT SHEET



PRECONFIGURED SYSTEMS:

Part Number: FFBAS0409

Description: TDR3664R 2.66+ C2-QUAD 2GB 300G XP

Summary: TD-R™ 3664R Computer System with an Intel® 2.66GHz (or higher) Core2™ Quad; 2GB total memory (2x1GB); Factory installed (removable) 2.5" removable 300GB (spindle) SATA hard disk drive; DVD-R/RW Drive; Matrox P690 Graphics; Windows XP Professional

Part Number: FFBAS0412

Description: TDR3764R 2.66+ C2-QUAD 2GB 300G XP

Summary: TD-R™ 3664R Computer System with an Intel® 2.66GHz (or higher) Core2™ Quad; 2GB total memory (2x1GB); Factory installed (removable) 2.5" removable 300GB (spindle) SATA hard disk drive; DVD-R/RW Drive; Matrox P690 Graphics; Windows 2008 Server 5 CAL

Part Number: FFBAS0443

Description: TDR3664R 2.66+ C2-QUAD 2GB 120G SSD XP

Summary: TD-R™ 3664R Computer System with an Intel® 2.66GHz (or higher) Core2™ Quad; 2GB total memory (2x1GB); Factory installed (removable) 2.5" removable 120GB Intel® 310 Series Solid State Disk Drive; DVD-R/RW Drive; Matrox P690 Graphics; Windows XP Professional

** Additional configurations are available upon request, to include, but not limited to, drive types and quantities, processor type and speed, memory configurations, and operating system support. Contact your sales representative for assistance in configuring your specific configuration.

www.intergraphgovsolutions.com

Phone: 1-800-747-2232

ABOUT INTERGRAPH GOVERNMENT SOLUTIONS

Intergraph Government Solutions (IGS) is an independent subsidiary of Intergraph Corporation that was created to serve the U.S. Federal and classified business.

Intergraph is the leading global provider of engineering and geospatial software that enables customers to visualize complex data. Businesses and governments in more than 60 countries rely on Intergraph's industry-specific software to organize vast amounts of data to make processes and infrastructure better, safer and smarter. The company's software and services empower customers to build and operate more efficient plants and ships, create intelligent maps, and protect critical infrastructure and millions of people around the world.

Intergraph, the Intergraph logo, and TD-R are registered trademarks of Intergraph Corporation. Microsoft and Windows are registered trademarks of Microsoft Corporation. Other brands and product names are trademarks of their respective owners. ©2012 Intergraph Government Solutions, Huntsville, AL 35758