

PRODUCT SHEET

TD-R™ 3X64N Series NEMA Computer System

The Intergraph TD-R™ NEMA computer system is built to withstand the harshest environments – such as those experienced aboard naval vessels – with the computing power provided by the Intel® Core™ 2 Quad Processors.

Engineered for durability based on National Electrical Manufacturers Association (NEMA) standards, the TD-R™ NEMA computer system performs at its peak on land and sea, in dusty, greasy, and moist conditions.



Built using commercial off-the-shelf (COTS) technology and providing a same “form-fit-function” approach as previous generations, this cost-effective computer system offers superior performance combining state-of-the-art graphics power with the industry-standard Microsoft® Windows Family or Linux operating systems. The system offers significant flexibility and can be frame or wall-mounted from a *proven supplier* of mission critical systems.

WORKSTATION FEATURES:

- Processing: Intel® Core™2 Quad at 2.66GHz or greater
- Front Side Bus: 1333/1066/800MHz
- Memory: DDR2 (667/800MHz) dual channel supporting up to 8GB. 2GB Standard.
- Expansion Slots (total):
 - One (1) PCI Express x16
 - One (1) PCI Express x4 interface (in x16 slot)
 - Four (4) PCI Rev 2.3 Bus Master interface slots
 - One (1) PCI Rev 2.3 Non-Bus Master slot
- Graphics: Integrated Intel Graphics Accelerator (GMA3100); System board factory option with Dual Head PCI-e capable Graphics board installed.
- Ethernet: Two integrated ports: One (1) Intel 82573L PCI-E Gigabit Ethernet Controller and One (1) Intel 82566 PHY with RJ-45 connector interface
- Audio: Realtek ALC888 HD Audio CODEC or equivalent with Line-In, Line-Out, and MIC.
- Battery: Removable lithium battery for CMOS memory
- Storage:
 - Hard Disk: One Removable drive bay supporting a 2.5” SATA based hard disks; Available disk drive options include solid state and standard rotational disks. Upgrade options available to support multiple removable drives.
 - Optical: One (1) DVD-R/RW drive standard
- I/O Interfaces (standard): One (1) RJ-45 ports on external I/O (upgrade option to support multiple NIC connections); Audio (Line-In, Line-Out, MIC); PS/2 Keyboard and Mouse Ports; Two (2) RS-232 Serial Ports; Six (6) USB ports (2 on the exterior I/O Panel, internal)
- Power: 460W, 120V (60Hz) Input standard.

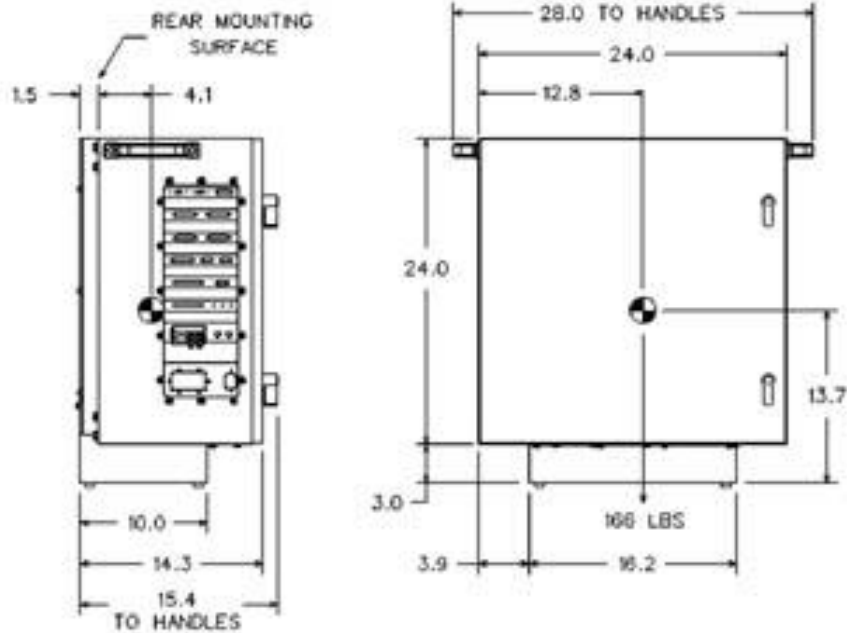
COMPONENT CONFIGURATION OPTIONS:

- Networking: Various factory installation options for copper, fiber, and redundant solutions.
- Communication Boards: Various options for RS-232/422/485
- Storage: Multiple removable disk drive options for SSD, optical, and advanced storage.

ENVIRONMENTAL SPECIFICATIONS: DESIGNED TO MEET

- Shock: MIL-S-901D Grade A (in a system that isolates to 35 Gs)
- Vibration: MIL-STD-167-1
- EMC: MIL-STD-461
- Airborne Noise: MIL-STD-740-1
- Inclination: MIL-E-16400G
- Operating Temperature: 0 to 50° C

PRODUCT SHEET



PRECONFIGURED SYSTEMS:

Part Number: FFBAS0410

Description: TDR3664 2.66+ C2-QUAD 2GB 300G XP

Summary: TD-R™ 3664N Computer System with an Intel® 2.66GHz (or higher) Core 2 Quad Processor; 2GB total memory; Factory installed (removable) 300GB Disk Drive; DVD-R/RW Drive; Windows XP Professional.

Part Number: FFBAS0412

Description: TDR3664 2.66+ C2-QUAD 2GB 300G W2K8

Summary: TD-R™ 3664N Computer System with an Intel® 2.66GHz (or higher) Core 2 Quad Processor; 2GB total memory; Factory installed (removable) 300GB Disk Drive; DVD-R/RW Drive; Windows 2008 Standard Server with 5 CAL.

** Additional configurations are available upon request, to include, but not limited to, drive types and quantities, processor type and speed, memory configurations, and operating system support. Contact your sales representative for assistance in configuring your specific configuration.

www.intergraphgovsolutions.com

Phone: 1-800-747-2232

ABOUT INTERGRAPH GOVERNMENT SOLUTIONS

Intergraph Government Solutions (IGS) is an independent subsidiary of Intergraph Corporation that was created to serve the U.S. Federal and classified business.

Intergraph is the leading global provider of engineering and geospatial software that enables customers to visualize complex data. Businesses and governments in more than 60 countries rely on Intergraph's industry-specific software to organize vast amounts of data to make processes and infrastructure better, safer and smarter. The company's software and services empower customers to build and operate more efficient plants and ships, create intelligent maps, and protect critical infrastructure and millions of people around the world.

Intergraph, the Intergraph logo, and TD-R are registered trademarks of Intergraph Corporation. Microsoft and Windows are registered trademarks of Microsoft Corporation. Other brands and product names are trademarks of their respective owners. ©2012 Intergraph Government Solutions, Huntsville, AL 35758