

## PRODUCT SHEET

### Pedestal Console with 24" Display System

The Intergraph 24" Rugged Pedestal Console provides a long history of field proven durability providing a viewport to display applications serving the machinery control, damage control, and monitoring applications arenas.

The console provides a free standing, deck mounted design with an integrated rugged (backlit) NEMA keyboard and trackball. The console boasts a large 24" LED backlit display system and amplified integrated dual speaker system to provide system alerts for critical alarm systems.

The pedestal console is hard mounted (requiring no isolation system) and provides a lockable front door for internal I/O from remote computer systems or mounting of the TD-R™ 4000B series computer systems.



#### CONSOLE CONSTRUCTION:

- Aluminum and stainless steel construction
- Bolted component support and restraint for increased structural reliability for truly rugged environments
- Power Coat Paint finish
- Hard mounted – No Isolation System providing reduced maintenance and mounting envelopes

#### CONSOLE FEATURES:

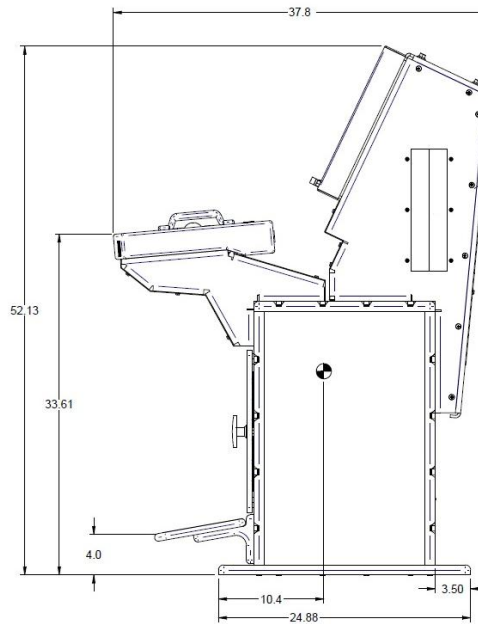
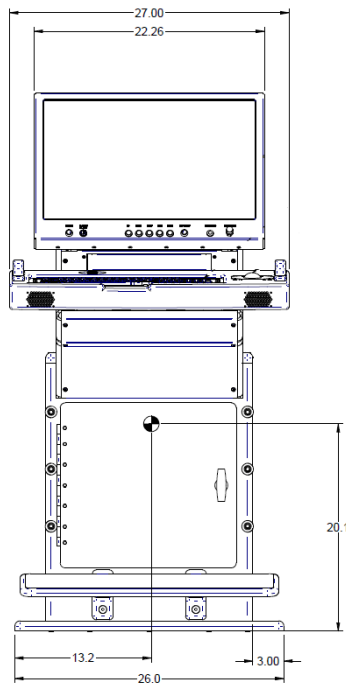
- Free standing, deck mounted
- Deck or rear cable entry featuring Roxtec® sealing glands
- Lockable front door featuring secure, convenient access to internal I/O
- Display System:
  - 24" WUXGA (24.1" Diagonal)
  - Color Active Matrix LCD CCFL backlit system
  - Display features surface treatment hard coating (3H) with Anti-glare treatment of the front polarizer
  - High Bright – Dim to Black analog adjustment knob.
  - Front menu control buttons with selectable on/off indicator LED for night operations.
  - Viewing Angle (Free) R/L 178 (typ); Viewing Angle (CR>10) U/D 178 (typ)
  - Pixel Pitch: 0.270 mm x 0.270 mm
  - Luminance, White (High Adjust) ≤400 cd/m<sup>2</sup> (Center 1 point)
  - Input modes: DVI and SVGA
- Audio – Integrated dual speaker system with audio amplifier with analog volume adjustment knob.

- Keyboard
  - Spill proof design
  - Red Backlit Keys -Dim to Black
  - Rugged, Durable design
- Trackball
  - Large 3 – 4 button trackball
  - High tracking under harsh (dirt debris) conditions
  - Red Backlit – Dim to Black
- I/O (Internal) Interfaces for Analog, Digital and PS/2 signal inputs (standard). Optional Factory or Field installed TD-R™ 4000B series shelf/computer system internal mounting kit.
- Switch Kits – Optional keyboard mounted custom analog switch kits.

#### ENVIRONMENTAL:

- Operating Temperature: -10° to +65° C (Standard). Upgrade options supporting -20° to +70° C.
- Storage Temperature: -40° to +80° C
- Relative Humidity: 0 to 95% non-condensing
- DESIGNED TO MEET
  - Shock: MIL-S-901D Grade A
  - Vibration: MIL-STD-167-1
  - EMC: MIL-STD-461F
  - Airborne Noise: MIL-STD-740-1
  - Inclination: MIL-E-16400G

**PRODUCT SHEET**



**PRECONFIGURED SYSTEMS:**

Part Number: FFDSP2000-7

Description: CONSOLE, PEDESTAL, 24" LCD, HARD MT

Summary: Intergraph 24" Standalone Pedestal Console. Computer System and computer interface cabling not included.

Part Number: FFDSP0201

Description: CONSOLE, PEDESTAL, 24" W/TD-R 4127B

Summary: Intergraph 24" Pedestal Console with integrated TD-R™ 4127B Computer System (FFBAS0427) consisting of: Intel® 2.7GHz (or higher) i7 Processor; 8GB total memory (1x4GB); Factory installed (removable) 120GB Intel® 510 Series Solid State Disk Drive; CF Card Reader; tabbed stainless steel mounting brackets; Mil style DC input power connection; External AC Power Supply with mounting bracket; Windows 7 Professional (See TD-R™ 4X27B Product Data Sheet for full computer system details).

\*\* Additional configurations are available upon request, to include, but not limited to, cable interface kits, custom switch kit assemblies and internal and remote mounted computer systems. Contact your sales representative for configuration assistance.

[www.intergraphgovsolutions.com](http://www.intergraphgovsolutions.com)

Phone: 1-800-747-2232

**ABOUT INTERGRAPH GOVERNMENT SOLUTIONS**

Intergraph Government Solutions (IGS) is an independent subsidiary of Intergraph Corporation that was created to serve the U.S. Federal and classified business.

Intergraph is the leading global provider of engineering and geospatial software that enables customers to visualize complex data. Businesses and governments in more than 60 countries rely on Intergraph's industry-specific software to organize vast amounts of data to make processes and infrastructure better, safer and smarter. The company's software and services empower customers to build and operate more efficient plants and ships, create intelligent maps, and protect critical infrastructure and millions of people around the world.

Intergraph, the Intergraph logo, and TD-R are registered trademarks of Intergraph Corporation. Microsoft and Windows are registered trademarks of Microsoft Corporation. Other brands and product names are trademarks of their respective owners. ©2012 Intergraph Government Solutions, Huntsville, AL 35758