

PRODUCT SHEET

24" Rugged Helm Console

The 24" Intergraph Helm Console provides a free standing, deck mounted design with an integrated rugged (backlit) NEMA keyboard and trackball. The console boasts a large 24" LED backlit display system and an amplified integrated dual speaker system to provide system alerts for critical alarm systems.

The console is hard mounted (requiring no isolation system) and provides a lockable front door for internal I/O from remote computer systems or mounting of the TD-R™ 4000B series computer systems. Additionally, the spacious interior provides numerous options for shelf mounting computer systems, I/O assemblies while providing ease of access for maintenance in a configurable, modular package.



Field proven design methodologies insure rugged field readiness *from a proven and trusted supplier* of rugged products and services.

CONSOLE CONSTRUCTION:

- Aluminum and stainless steel construction
- Bolted component support and restraint for increased structural reliability for truly rugged environments
- Power Coat Paint finish
- Hard mounted – No Isolation System providing reduced maintenance and mounting envelopes
- Modular (top/bottom) sections for installation support

CONSOLE FEATURES:

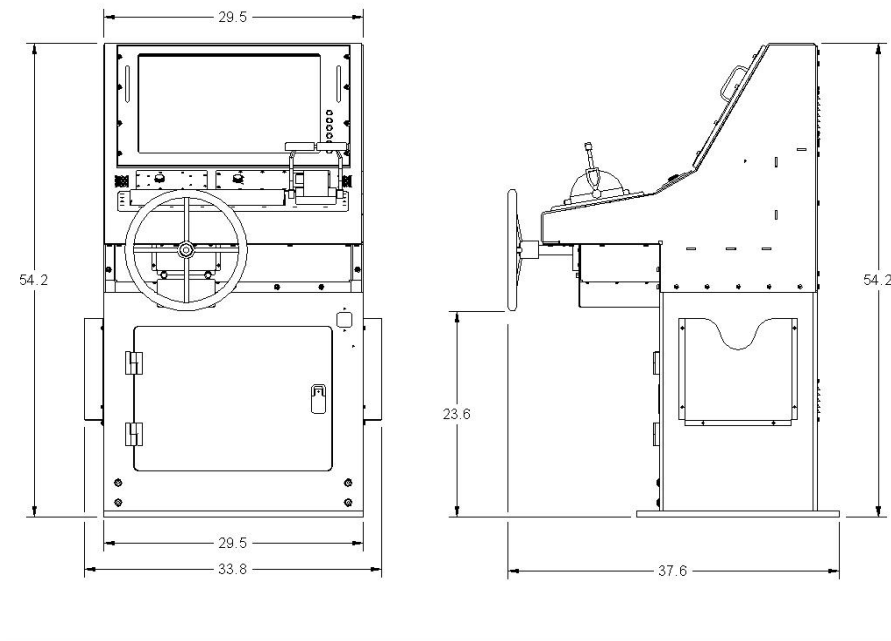
- Free standing, deck mounted
- Deck or rear cable entry featuring Roxtec® sealing glands
- Lockable front door featuring secure, convenient access to internal I/O
- Display System:
 - 24" WUXGA (24.1" Diagonal)
 - Color Active Matrix LCD CCFL backlit system
 - Display features surface treatment hard coating (3H) with Anti-glare treatment of the front polarizer
 - High Bright – Dim to Black analog adjustment knob.
 - Front menu control buttons with selectable on/off indicator LED for night operations.
 - Viewing Angle (Free) R/L 178 (typ); Viewing Angle (CR>10) U/D 178 (typ)
 - Pixel Pitch: 0.270 mm x 0.270 mm
 - Luminance, White (High Adjust) ≤400 cd/m² (Center 1 point)
 - Input modes: DVI and SVGA
- Audio – Integrated dual speaker system with audio amplifier with analog volume adjustment knob.

- Keyboard
 - Spill proof design
 - Red Backlit Keys -Dim to Black
 - Rugged, Durable design
- Trackball
 - Large 3 – 4 button trackball
 - Red Backlit – Dim to Black
- I/O (Internal) Interfaces for Analog, Digital and PS/2 signal inputs (standard). Optional Factory or Field installed TD-R™ 4000B series shelf/computer system internal mounting kit. Additional Options for Media Conversion kits and serial interface systems.
- Switch Kits and Analog Controls – Optional custom switch kit and analog control design available upon request. Steering and throttle control options defined based upon customer requirements.
- Optional display tilt wedge for 15+/-° angle

ENVIRONMENTAL:

- Operating Temperature: -10° to +60° C
- Storage Temperature: -40° to +80° C
- Relative Humidity: 0 to 95% non-condensing
- DESIGNED TO MEET
 - Shock: MIL-S-901D Grade A
 - Vibration: MIL-STD-167-1
 - EMC: MIL-STD-461F
 - Airborne Noise: MIL-STD-740-1

PRODUCT SHEET



PRECONFIGURED SYSTEMS:

Part Number: FFDSP3000-7

Description: CONSOLE, 24" HELM, SERIES II

Summary: Intergraph 24" Helm Console equipped with a basic control set wired to a terminal block interface. Basic control set includes Kobelt Electronic Control Head with four 5K POTS; Kobelt Electronic Helm with brass gears and locking arm control; XL72 Series Rudder Order Indicator; a 13" steering wheel and a single 700-K series IEC control relay.

** Additional configurations are available upon request, to include, but not limited to, cable interface kits, custom switch kit assemblies and internal and remote mounted computer systems. Contact your sales representative for configuration assistance.

www.intergraphgovsolutions.com

Phone: 1-800-747-2232

ABOUT INTERGRAPH GOVERNMENT SOLUTIONS

Intergraph Government Solutions (IGS) is an independent subsidiary of Intergraph Corporation that was created to serve the U.S. Federal and classified business.

Intergraph is the leading global provider of engineering and geospatial software that enables customers to visualize complex data. Businesses and governments in more than 60 countries rely on Intergraph's industry-specific software to organize vast amounts of data to make processes and infrastructure better, safer and smarter. The company's software and services empower customers to build and operate more efficient plants and ships, create intelligent maps, and protect critical infrastructure and millions of people around the world.

Intergraph, the Intergraph logo, and TD-R are registered trademarks of Intergraph Corporation. Microsoft and Windows are registered trademarks of Microsoft Corporation. Other brands and product names are trademarks of their respective owners. ©2012 Intergraph Government Solutions, Huntsville, AL 35758